



ATX LED Consultants Inc
1108 Lavaca St – STE 110-489
Austin Tx, 78701
512 377 6052
<http://atx-led.com>

Recessed Trimless LED
Low Voltage
Tunable / Fixed 6 watt
Direct Current Controlled

TL-60
TL-120

Bright LEDs, Cool operation
Low Voltage mounting solution

Mud In Ring with clamps



[Product Description - recessed long life LED fixture](#)

This LED fixture offers high lumen output, recessed point light source, and safe low voltage operation.

Operating at 6 watts, with over 780 lumens, this LED fixture allows code compliant LED installations in single family or MDU with low voltage wiring. Because all the power in goes to the LED (there is no driver or electronics involved) and because the COB LED source is not diffused – the Lumen output is comparable to 10 watt 120 VAC fixtures.

Technical specifications TL-60



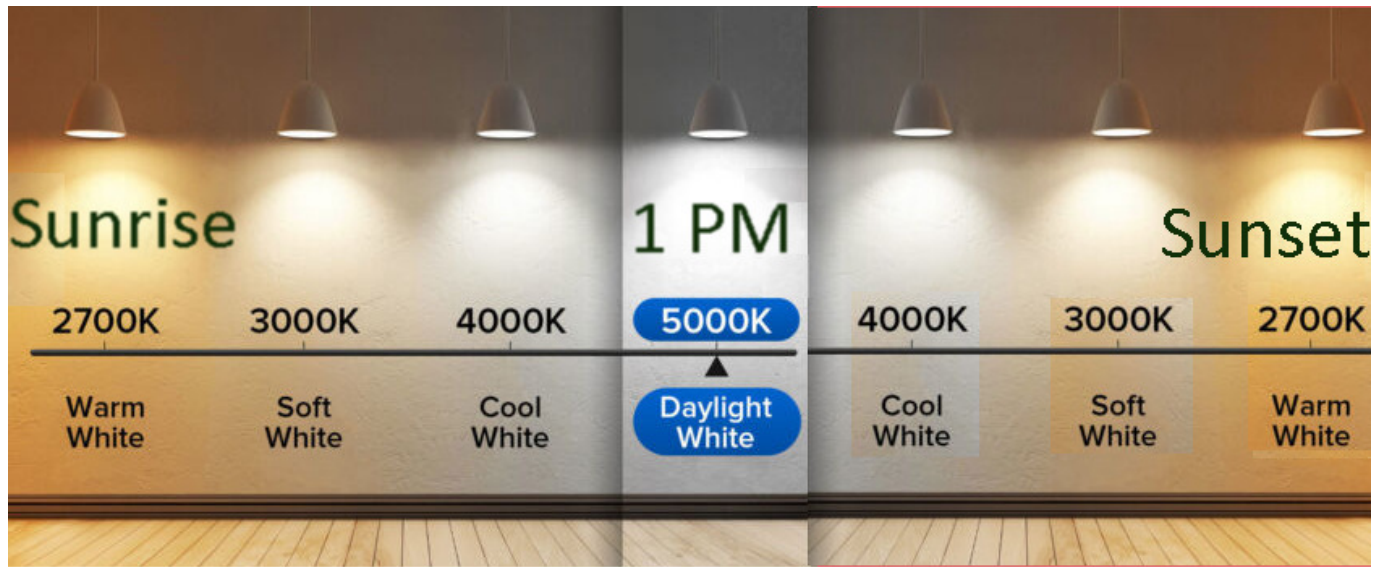
Size	Round 75mm hole diameter 90 mm mud ring diameter 62 m depth minus sheetrock	Square 93mm hole diameter 120 mm mud ring diameter 76 m depth minus sheetrock
CRI	90 or better	
Dimming	0 to 100%, flicker free, no artifacts	
Driver Type	Use 3 or 4 wire drivers	
Operating Wattage	6 Watts 9v @ 660 mA 9 watts 10v @ 880 mA	
Operating current	0 to 880 mA total of current in both channels, can mix for color control	
Lumens	620 @ 660 mA (6 watts) 930 @ 880 mA (9 watts)	
Beam Width	55 Deg	
Color Temperature	2700, 3000, 3500, 4000, 5000 Tunable 2700-5000	
Operating Voltage	7.5 to 10.0 volts	
Recommended wiring	Series, 4 or 5 fixtures in series sharing one driver	
Connectors	2x OJ-606 (M + F) not included Compatible with Ideal 30-082	
Constant Voltage	do not use Constant Voltage	
Operating Temperature	Ceiling mount, -20 to 50 Deg C non condensing	
IP Rating	IP65 Suitable for indirect water exposure	

Technical specifications TL-120



Height is 75mm from sheetrock face	Round 105mm hole diameter 168mm mud ring diameter	
CRI	90 and better	
Dimming	0 to 100%, flicker free, no artifacts	
Driver Type	Use 3 or 4 wire drivers	
Operating Wattage	6 Watts 9v @ 660 mA 9 watts 10v @ 880 mA	
Operating current	0 to 880 mA total of current in both channels, can mix for color control	
Lumens	620 @ 660 mA (6 watts) 930 @ 880 mA (9 watts)	
Beam Width	90 deg	
Color Temperature	2700, 3000, 3500, 4000, 5000 Tunable 2700-5000	
Operating Voltage	7.5 to 10.0 volts	
Recommended wiring	Series, 4 or 5 fixtures in series sharing one driver	
Connectors required	2x OJ-606 (M + F) not included compatible with Ideal 30-082	
Constant Voltage	do not use Constant Voltage	
Operating Temperature	Ceiling mount, -20 to 50 Deg C non condensing	
IP Rating	IP65 Suitable for indirect water exposure	

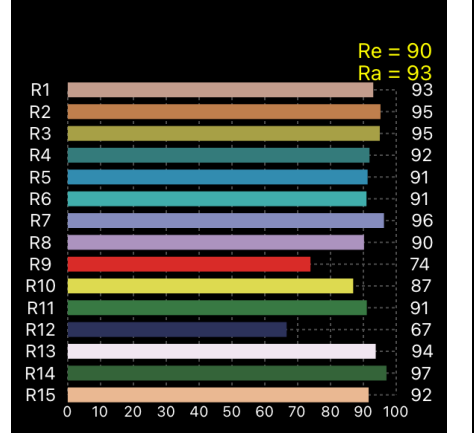
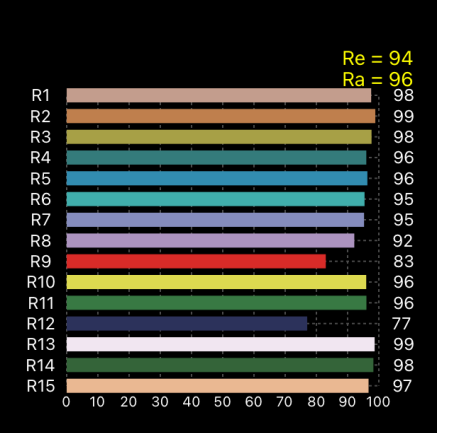
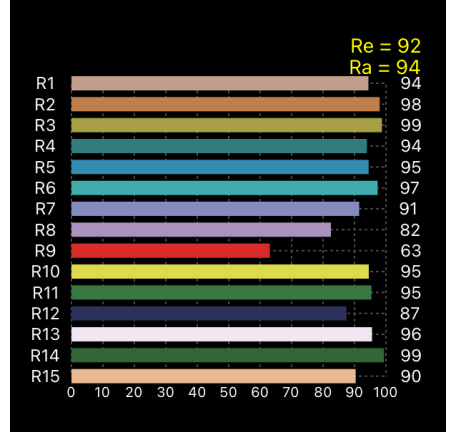
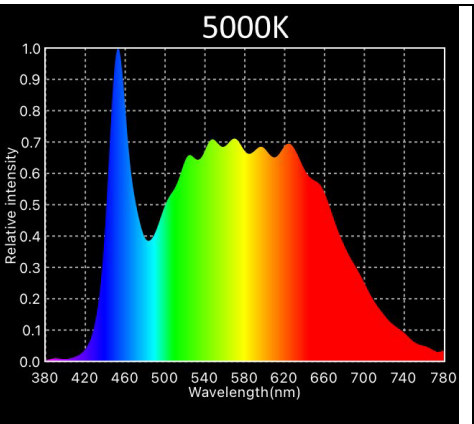
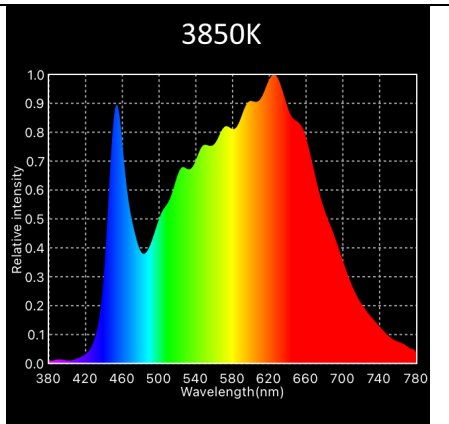
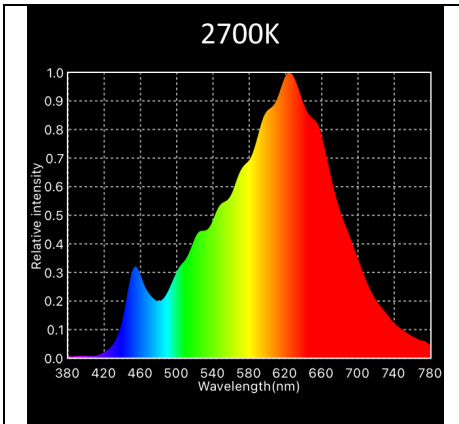
Color Temperature options



Optional Time of Day lighting rhythm

Any 660 to 1000 mA current source can be used. Up to 5 fixtures can be wired in series to share one driver. That driver can be located up to 70 ft from the LEDs – since constant current eliminates the concerns about voltage drop. Connecting both inputs in parallel will generate the color CCT marked #. .

Model	2700	3000	3500	3850	4000	5000
TL-60 fixed	●			#		●
CCT	----- stepless adjustable -----					
TL-120 fixed	●			#		●



CCT	2689 K
CRI(Ra)	94
CQS	93
TLCI(Qa)	92.2
GAI	48.6
Illuminance	8824 lux
Foot Candle	819.7 fc
λ_p	624 nm
Flicker Percentage	0.1 %

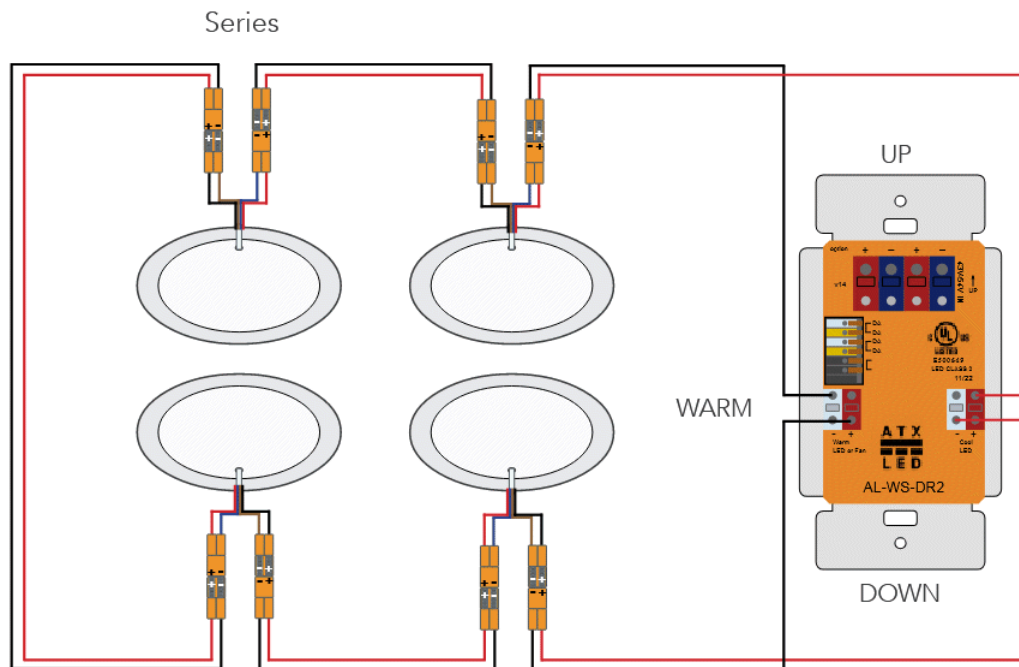
CCT	3684 K
CRI(Ra)	96
CQS	93
TLCI(Qa)	95.9
GAI	76.9
Illuminance	10317 lux
Foot Candle	958.5 fc
λ_p	625 nm
Flicker Percentage	0.1 %
Flicker Index	0.00

CCT	4818 K
CRI(Ra)	93
CQS	91
TLCI(Qa)	94.6
GAI	86.7
Illuminance	11708 lux
Foot Candle	1087.7 fc
λ_p	453 nm
Flicker Percentage	0.1 %

Ordering part numbers

Model	Voltage	Current	CCT	CRI	Note
TL-60	7.5-10	0-880mA	2700K 3850K 5000K tunable	90	60 mm
TL-60 Mud Ring					Square or Round
TL-120	7.5-10	0-880mA	3000K 3500K 4000K	90	60 mm
TL-120 Mud Ring					Round

AL-WS-DR2 wiring

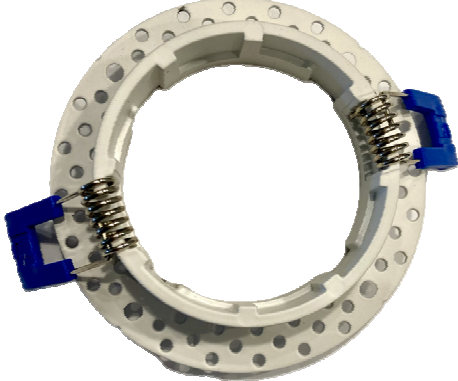
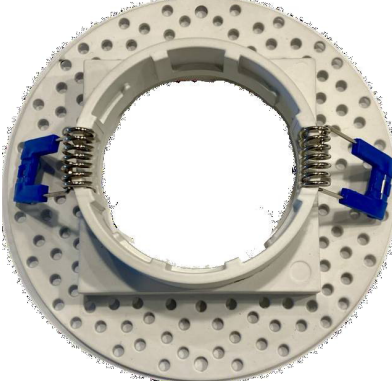
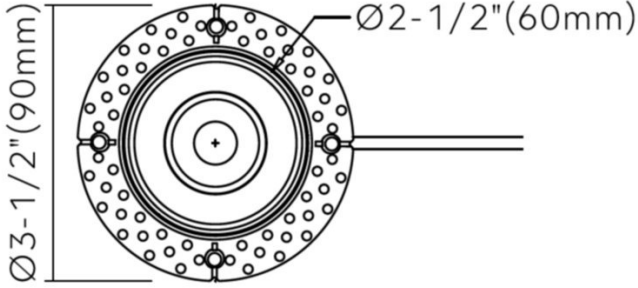
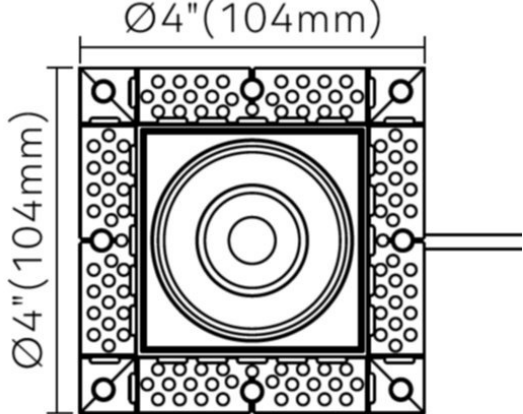
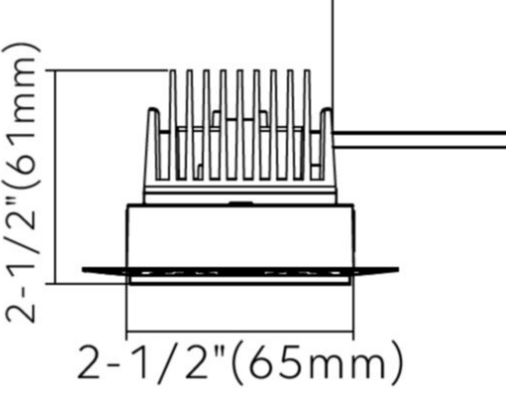
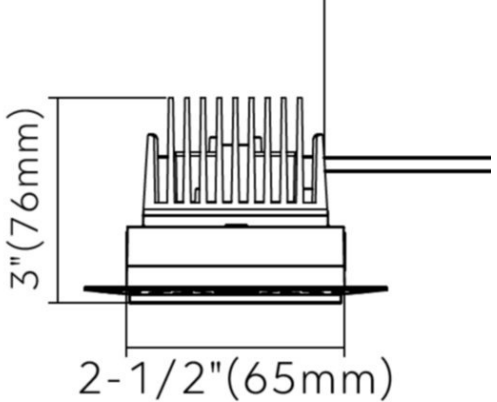


360 mA operation

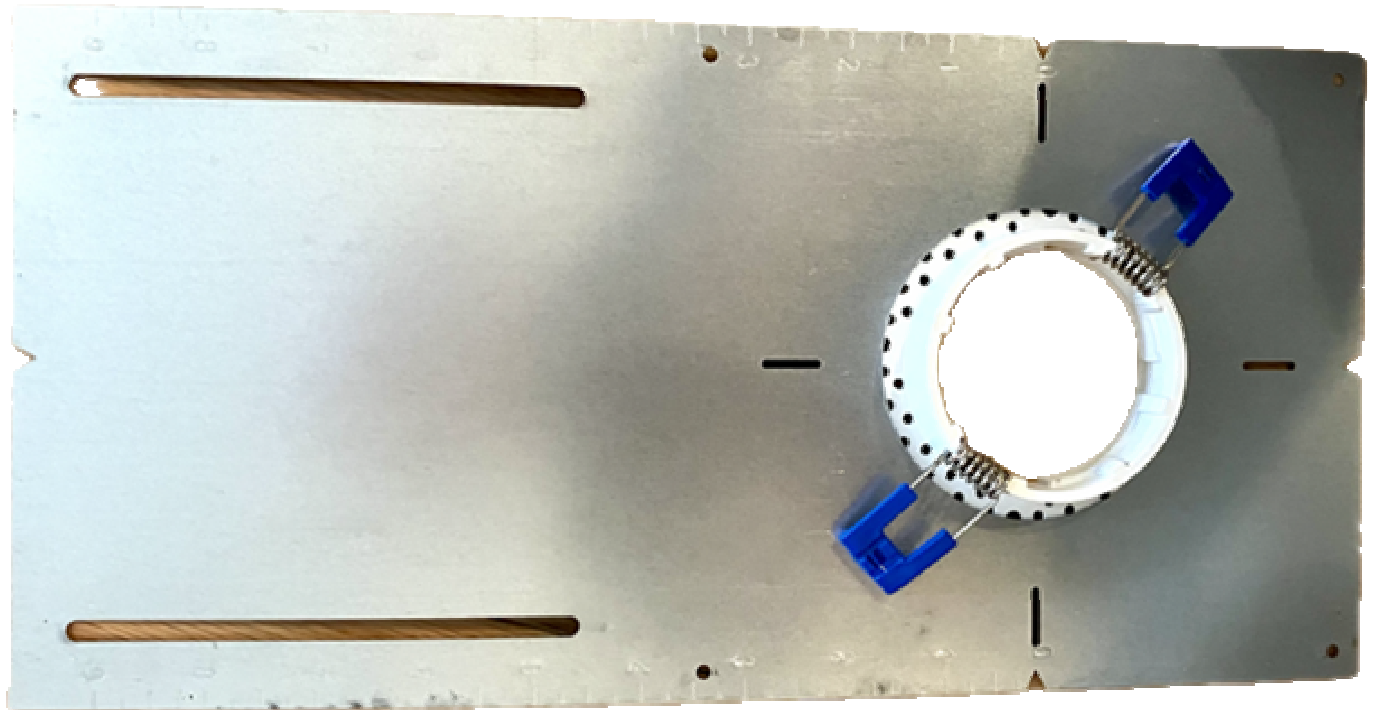
This 6 watt LED can be installed for 360 mA operation for use with 360 or 300 mA drivers. The total power is 6 watts at 3850 CCT with 330 mA or 9 watts with 500 mA. The voltage is 15-18v in this method.

Direct to Sheetrock – TL-60

Install the rough in ring using the side clamps – then mud in the ring.
The LED Engine slides up and in after painting is complete. We provide a plug to keep the interior clean.

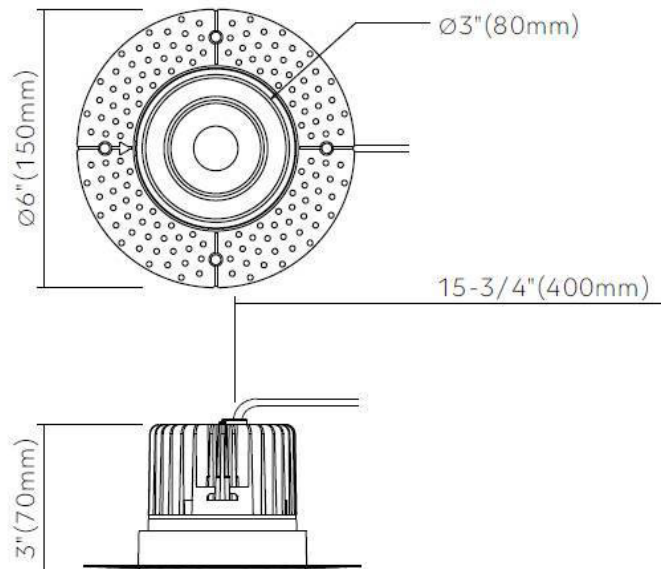
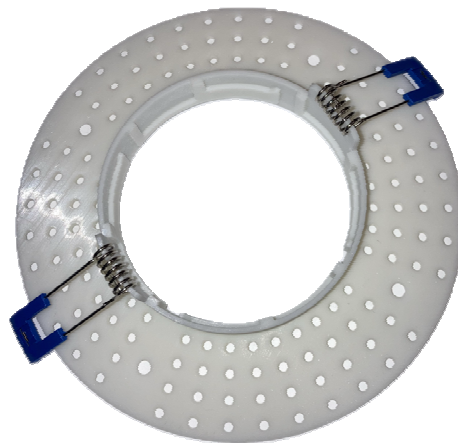
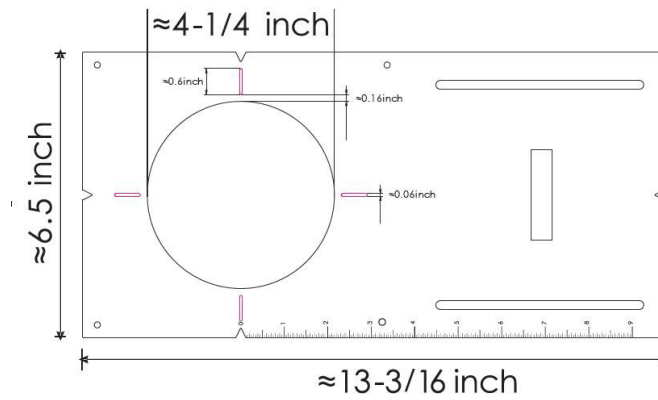
Round	Square
	
	
	

3 inch Flat Sheet Metal Rough in plate



Direct to Sheetrock – TL-120

Install the rough in ring using the side clamps – then mud in the ring.
The LED Engine slides up and in after painting is complete. We provide a plug to keep the interior clean.



Recommended DC Drivers with Dimming

N=# of LEDs

DC drivers *	Fixed Color	Tunable White	WiFi	DALI
AL-WS-DR1	4			
AL-WS-DR2	8	4		X
AL-WS-DR2C	8	4		
AL-WS-DR2W	8	4	X	
LDD-600H	5			
LDD-600HDA	5			X

*51 volt DC input (with 54v supply, one additional is allowed – 5 instead of 4)

** no dimming

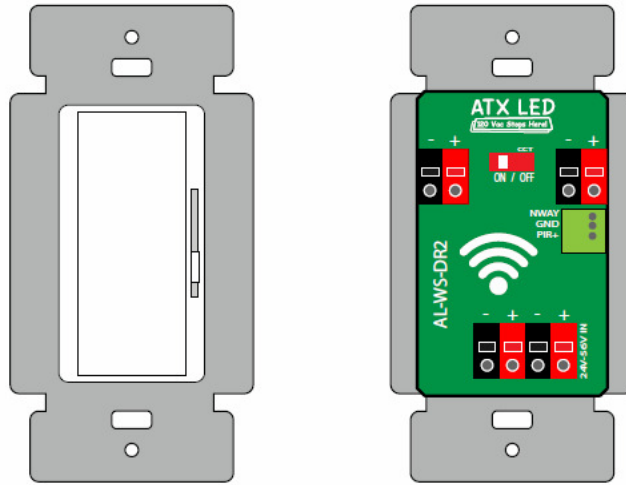
Examples of AC Drivers with Dimming

N=# of LEDs

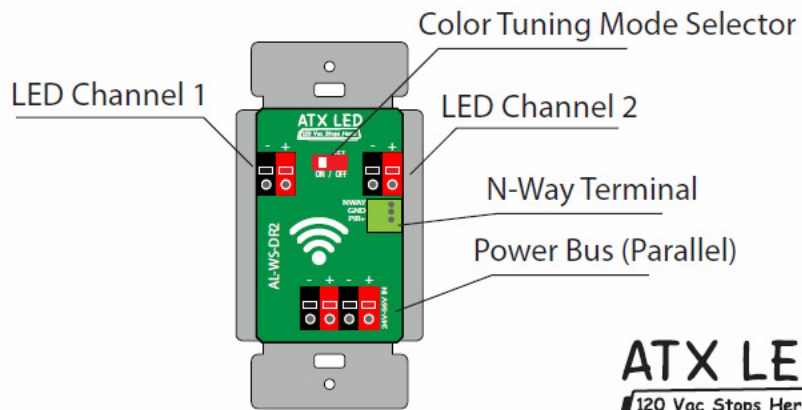
AC drivers from 120 / 240 vac to DC current	Watts	Fixed Color	Tunable White	0-10v	DALI	DMX
SMT-086-0700CM	35 / 48v	9			X	
SR-2309-75CCT	75 / 48v		5		X	
WP-80-40A-2AM	75 / 36v	8	4	X		
DMX-50-500-1750	50 / 48v	6				X

Meet the DR2

The DR2 is the heart of the entire system. From the front it looks like a typical style wall switch with a slide dimmer. This is where the driver for the LEDs is located. The DR2 uses current control technology to provide perfect dimming to each of its corresponding LEDs. There are several different types of DR2 available, depending on application.



Front



ATX LED
120 Vac Stops Here!

E26 bulbs also available



ATX-E26



RL-E26



RL-E12