



Austin Led Consultants

DMX and Led power over ethernet

ATX Led Consultants Inc
815-A Brazos #326
Austin Tx, 78701
512 377-6052

<http://atxled.com>

PL-AT-WallPack waterproof 10 / 20 Watt 802.3af or 802.3at

PoE outdoor floodlight with dusk / dawn



Product Description - PL-AT-WallPack

This WallPack Floodlight is powered by Ethernet cable! You can now add dusk / dawn and PoE controlled light anywhere – without the need for 110v wiring. Bright 10 or 20 watts of long lifetime LED lighting - activated by a nighttime Sensor. This device allows power to be carried on Ethernet cable with either 802.3af or passive injectors and switches. The PL-AT-Wallpack is intended for use with Cisco or similar PoE switches, this PoE solution negotiates with the switch to activate power for the built-in LED. It is the easiest to install outdoor lighting solution. The PoE switch supplies 48, 51 or 56 volts DC at the source location, the LED floodlight can be up to 328 ft away. No 120 vac wiring is needed.

In addition to Dusk / Dawn – this floodlight can be operated at either 802.3af or 802.3at power levels. If used with an 802.3af switch or injector, it will operate at 10 watts. If used with a 802.3at switch, it will operate at 20 watts. If your switch has Port level controls, you can adjust the brightness and schedule from the switch.

Important note: PoE and water do not mix. Do not allow water to get into the RJ45 connector, failure will occur within 4-6 months of operation if water is present. If there is water cut the Rj45 connector and replace with waterproof “beans”.

Specifications

Power source	Ethernet cable – Male RJ45 connector
Power Protocol	802.3af class 3 for 10 watts 1000 lm brightness 802.3at class 4 for 20 watt 2000 lm brightness Passive – 10 watt or 20 watt jumper selectable
802.3af keep alive	350 mw keep alive current – contact us for options
Input voltage range	44v to 57 volts
Power in – 802.3af or 3at	1&2 and 3&6 from PoE switch – either polarity
Power in – passive	4&5 plus 7&8 minus
Metal case and plastic lens	IP67 waterproof
Max Power consumption	11 watts in for 10 watts of LED light 22 watts in for 20 watts of LED light
Input Current at 48v	250 ma input delivers 10 watts to LED 480 mA input delivers 20 watts to LED
Dusk / Dawn control	Photocell – automatic
LED Color Temperature	White, 4000 °K or 5000K
Operating Temperature	0°C ~ 50°C
Size	225 x 150 x 100 mm
Order Code	PL-AT-WallPack-20wattDD UPC 722512406742



IP67
Waterproof
Case

Bright
20 Watt
LED

Knockouts to
Attach to J-Box

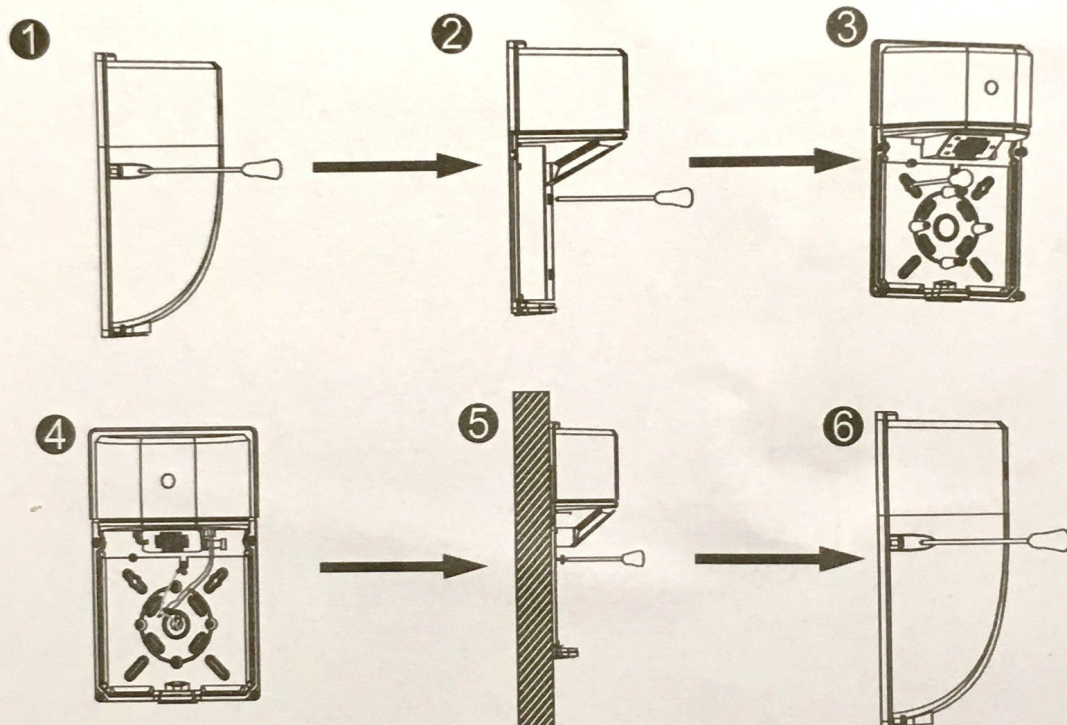
RJ45
PoE
Power

INSTALLATION INSTRUCTIONS

LED Wall Pack

PL-AT-WallPack-20w

Suitable for wet location and operation in ambient not exceeding 40°C
Min 75°C supply conductors.
Products are not intended for use in environments containing airborne
corrosive airborne corrosive agents such as chemical solvents, cleaners,
or cutting fluids.



1. Remove the lens by removing the 2 screws securing it to the rear housing and set aside.
2. Loosen two screws enough to allow reflector to slide upward until keyhole in reflector releases from two screws. Remove reflector.
3. Knock out appropriate holes around outlet hole in rear housing and apply the gasket to the back surface of housing and fasten the rear housing to the outlet box using the screws supplied with the outlet box.
4. Complete the wiring to the power source and ground, Using customer supplied 90°C minimum rated wire connectors, make the following electrical connections in the mounting box or junction box:
 - a. Connect the black fixture lead to the voltage supply lead
 - b. Connect the white fixture lead to the neutral supply lead
 - c. Connect the ground lead to the supply ground lead.
 - d. To ensure rain tight seal, apply silicone caulking around back edges of fixture.
5. Replace reflector.
6. Replace front housing by reversing procedure used to remove it.