

# ATX LED

100% DC low voltage

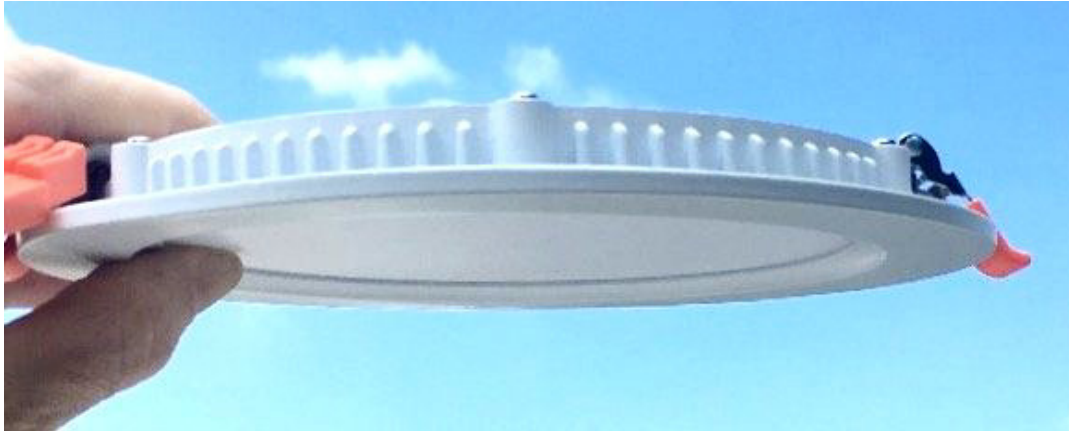
ATX LED Consultants Inc  
1108 Lavaca STE 110-489  
Austin Tx, 78701  
512 377 6052  
<http://atx-led.com>

P023R6 LED Fixtures  
Low Voltage 660 mA / 1000mA  
dimmable Direct Current

P023R6 series, CC

ETL 5005242 ( UL 1598 std)

Bright LEDs, Cool Operation



## Product Description - low profile long life LED fixture

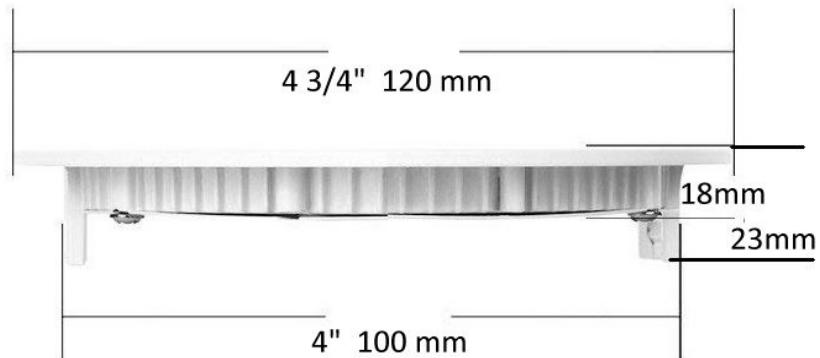
The P023R series of LED fixtures are **ETL listed** and IC rated for direct contact with insulation – recognizing it's cool operating temperatures and distributed heat ( no hot spots). **Closet Rated** under NEC codes. **JA8 / Title 24** listed.

## Technical specifications

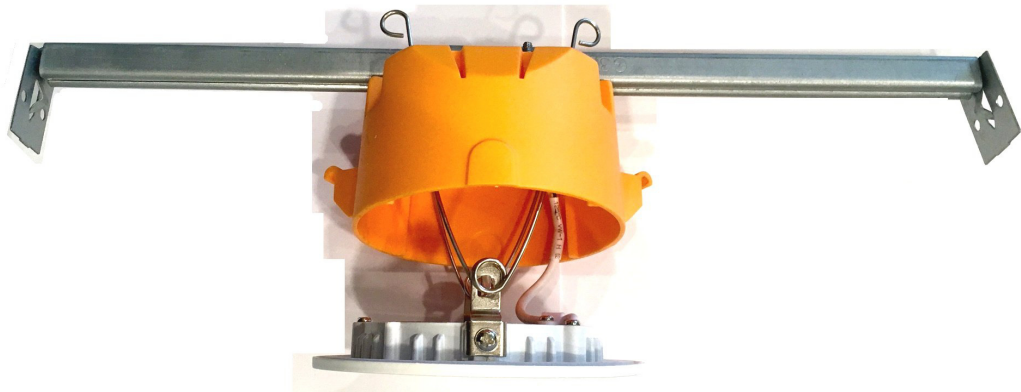
Wattage	6 watts operating
Operating current	0 to 660 mA total of current in both channels, can mix for color control
Dimming Range	0 to 100%, flicker free, no artifacts
Lumens / CRI	600 lumens, CRI 90
Color Temperature	6 fixed options available plus tunable white
Operating Voltage	7.5 to 9.0 volts
Recommended wiring	Series, 1 to 4 fixtures in series sharing one driver
Constant Voltage	Not Recommended – current driver required
Operating Temperature	Ceiling mount, -20 to 50 Deg C non condensing
IP Rating	Suitable for Damp environments
IC Rated	Yes, with our without the AL-CBOX4
LM-80 tested	10,000 hours
LED type	2835 long life
Closet Rated	Suitable for use within Closet storage spaces when installed per NEC requirements. See <a href="https://atxled.com/Closets">https://atxled.com/Closets</a> for more info

## Panel Style LED Wafers – Low Voltage Dimmable [Direct to Sheetrock / wood Option](#)

Side springs shown in main photo



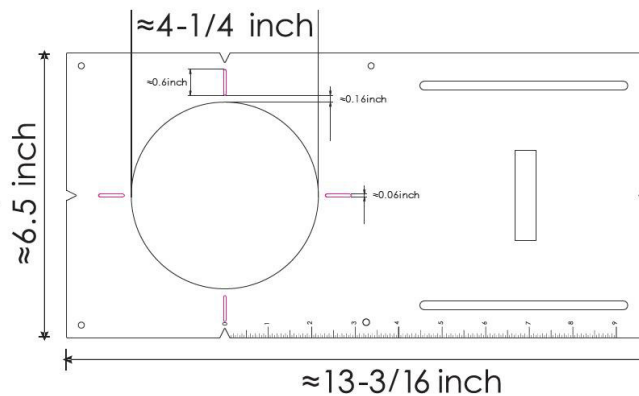
## [AL-CBOX4 ceiling mount Option](#)



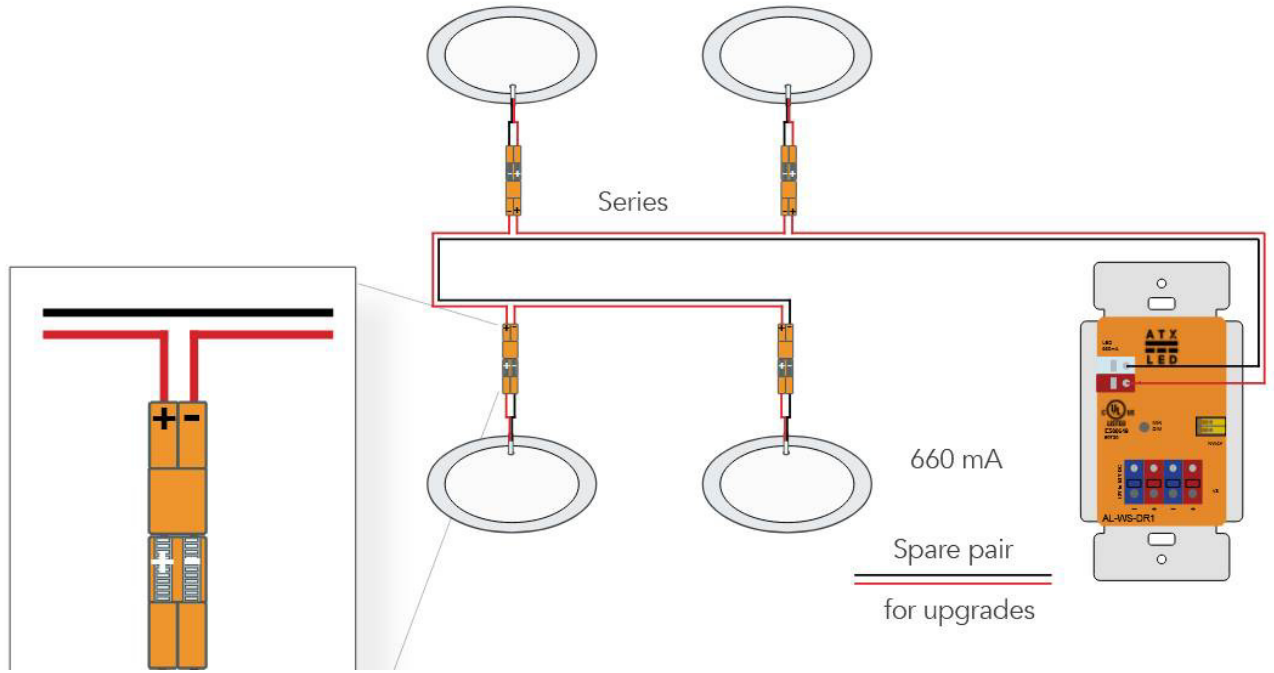
AL-CBOX4 mounting hanger bar

16 to 24 inch joist spacing Supports up to 20 lbs  
Flat or vertical truss attachment See [AL-CBOX4.pdf](#)

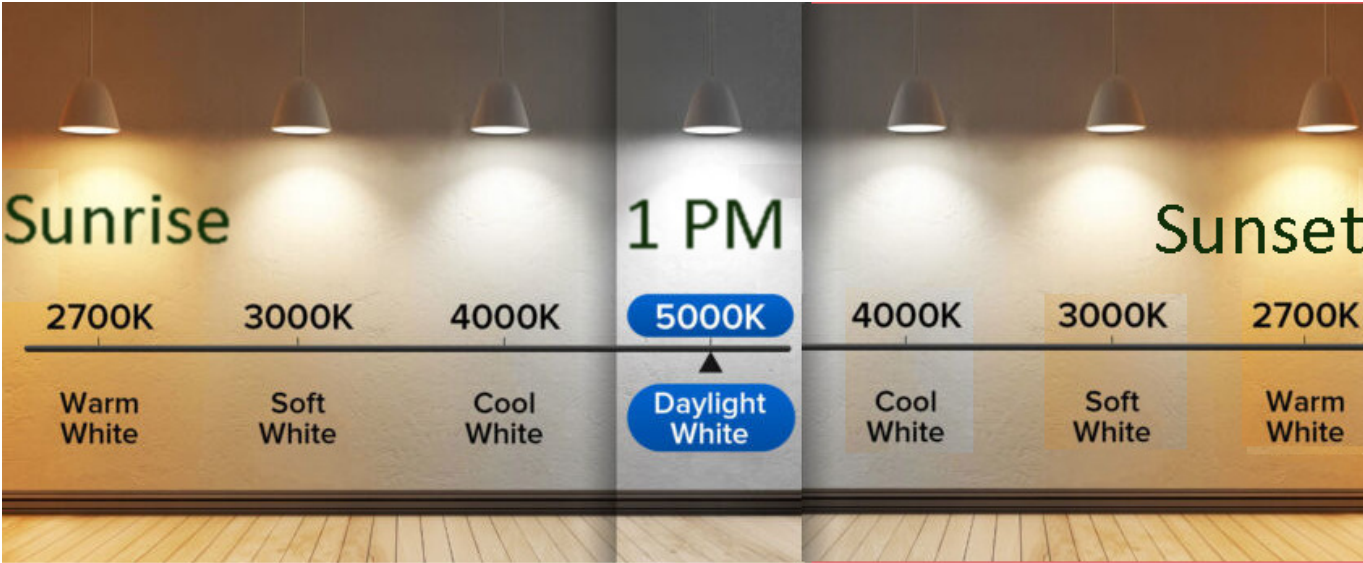
## [Metal Plate mount Option](#)



# Local Dimming Wiring



# Color Temperature options



## Optional Time of Day lighting rhythm

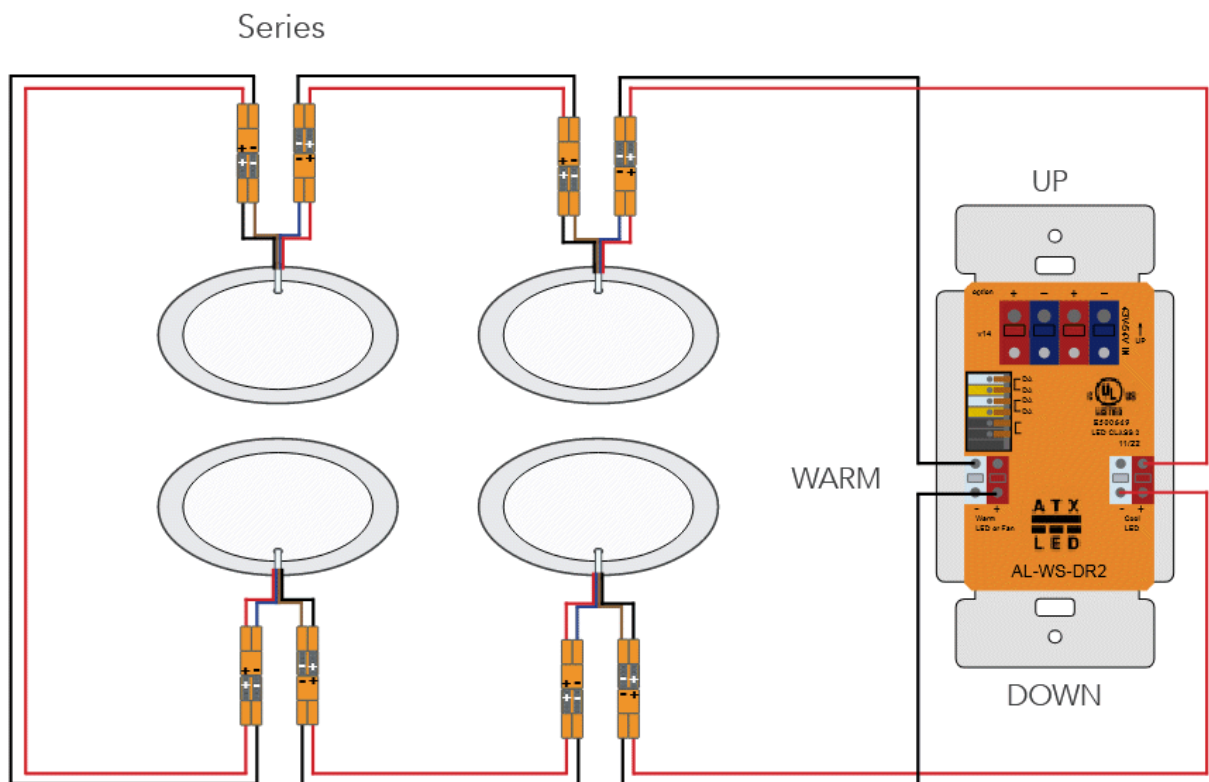
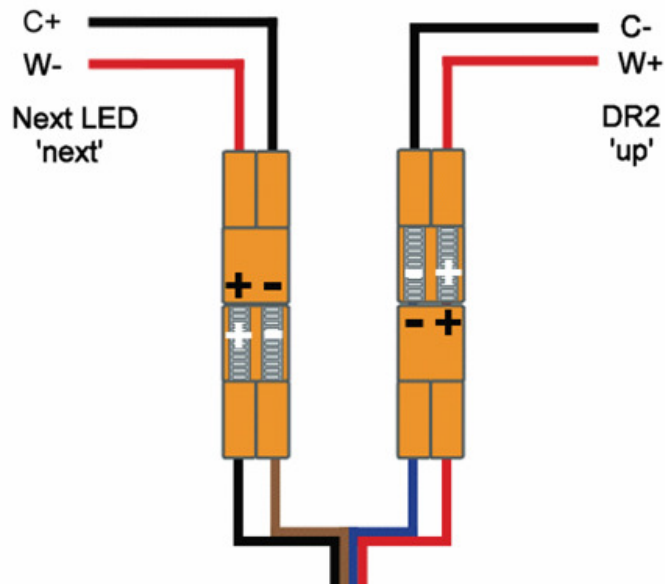
Available in 6 different color temperatures, these fixtures can be operated as a fixed color, or tunable white fixture. Any 660 mA current source can be used. Up to 5 fixtures can be wired in series to share one driver. That driver can be located up to 150 ft from the LEDs – since constant current eliminates the concerns about voltage drop. This 6 watt device can be installed as either tunable white or fixed color. Connecting both inputs in parallel will generate the 3850K color. .

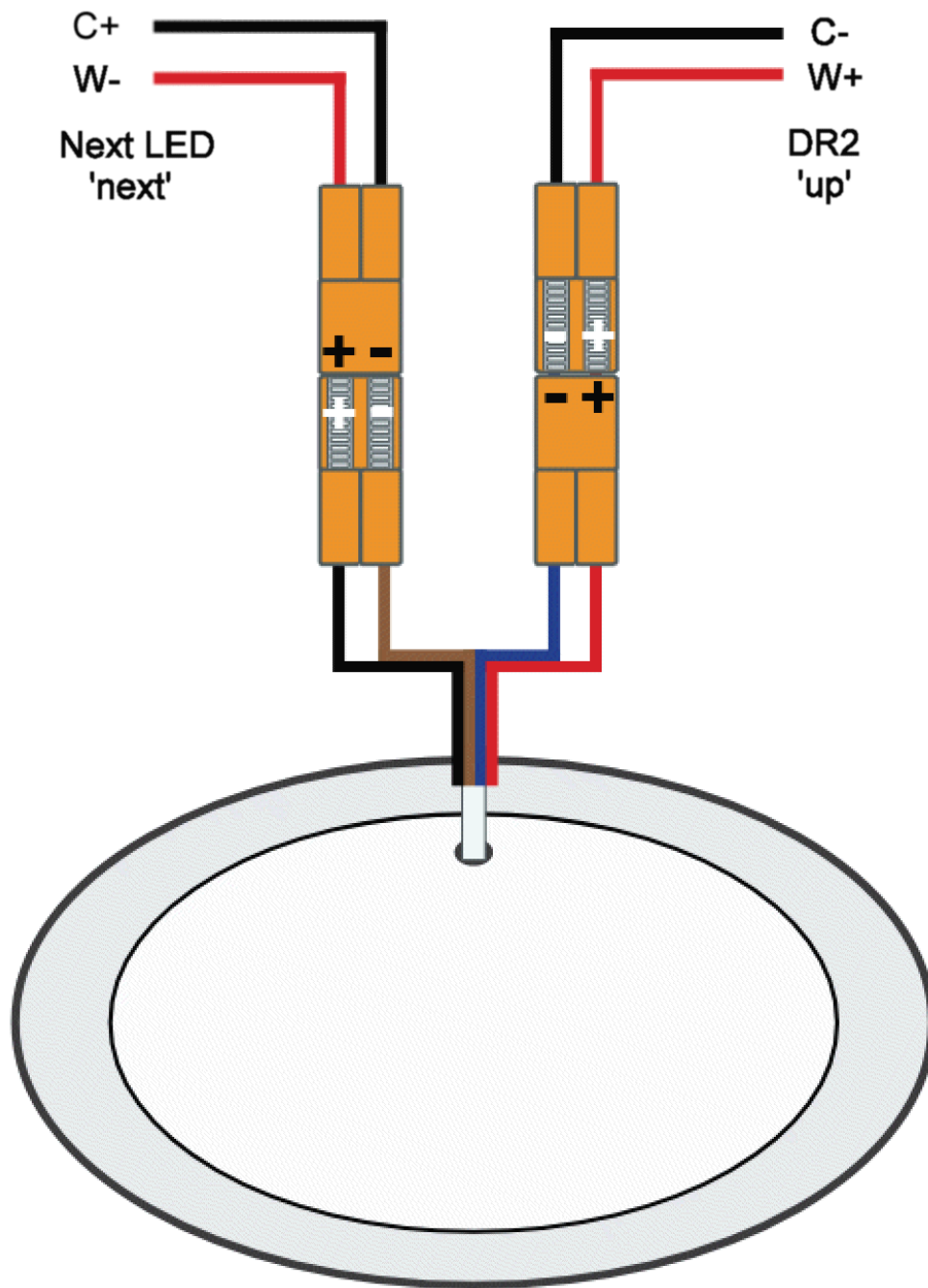
Model	2700	3000	3500	3850	4000	5000
CCT	X -----> X					X
Fixed	X <sup>2</sup>	X	X	X <sup>2</sup>	*	X <sup>2</sup>

X= Stock, \* = on request, X<sup>2</sup> = wiring option of CCT

## Tunable White ( CCT ) Wiring Details

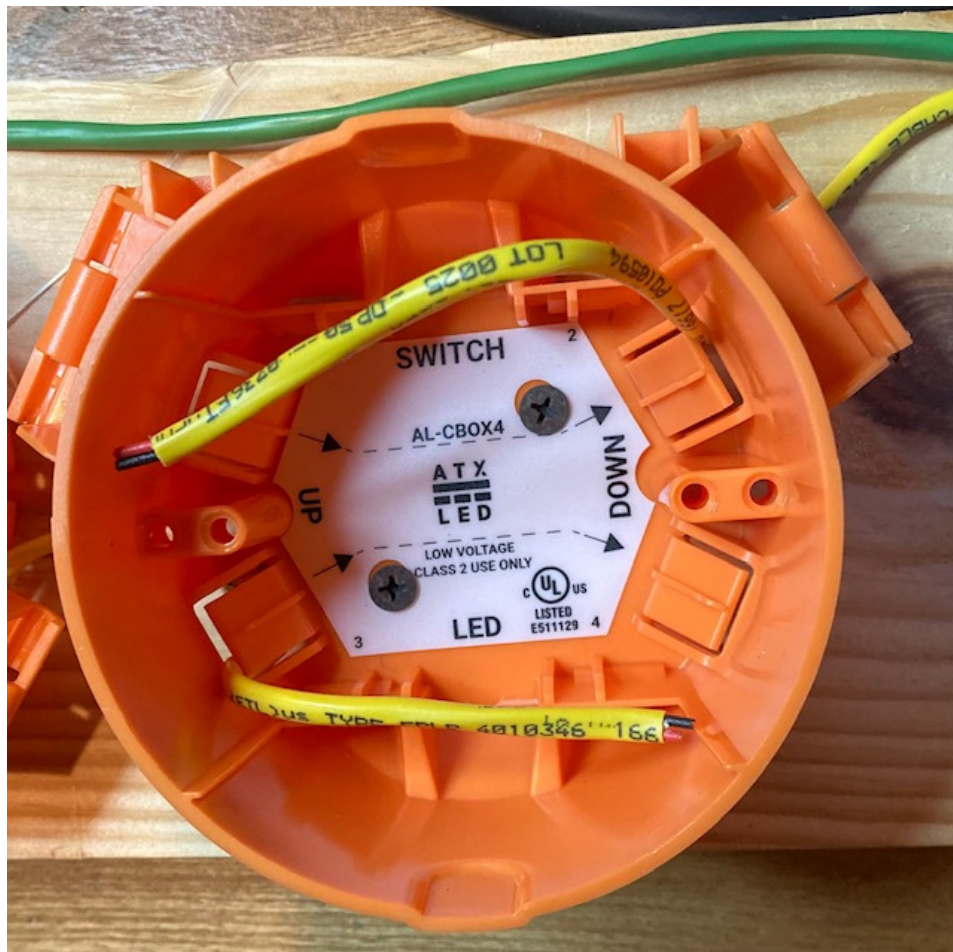
These fixtures offer a novel wiring method. The OJ-606 connectors provided, are paired to allow a single AWG-18/2 pair to enable tunable white. This means, that both connectors are required, to provide the current to the LEDs. The same wiring is used for 1 or 5 fixtures.







# Physical examples



## Recommended DC Drivers with dimming\*

**Q = total of the Q values of each attached fixture**

DC drivers *	Fixed Color	660mA / 51v Tunable White	660mA / 54v Tunable White	WiFi	DALI
AL-WS-DR1	<b>Q=14</b>				
AL-WS-DR1P/D	<b>Q=14</b>				
AL-WS-DR2	<b>Q=14 x2</b>	<b>Q=14</b>	<b>Q=15</b>		<b>X</b>
AL-WS-DR2C	<b>Q=14 x2</b>	<b>Q=14</b>	<b>Q=15</b>		<b>X</b>
AL-WS-DR2W	<b>Q=14 x2</b>	<b>Q=14</b>	<b>Q=15</b>	<b>X</b>	

## Examples of AC Drivers with Dimming

**Q = total of the Q values of each attached fixture N = # of LEDs**

AC drivers from 120 / 240 vac to DC currents	990/1320mA Fixed	990/1320mA Tunable White	DALI
SRP-2305-75	<b>Q=16</b>		<b>X</b>
SRP-2309-75CCT		<b>Q=16</b>	<b>X</b>



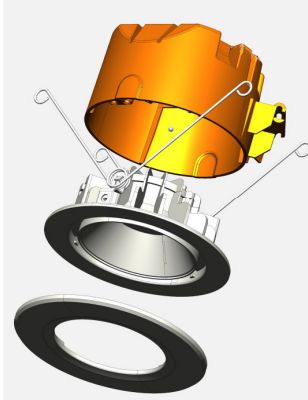
## Ordering part numbers

Model	Voltage	Current	Watts	Q	CCT	CRI	Lumens	Note
P023R6-660mA-3000K	7.5-8.5	0-660mA	5.6	3	3000K	90	540	
P023R6-660mA-3500K	7.5-8.5	0-660mA	5.6	3	3500K	90	540	
P023R6-660mA-4000K	7.5-8.5	0-660mA	5.6	3	4000K	90	540	
P023R6-660mA-27/50K	7.5-8.5	0-660mA	5.6	3	Tunable 2700 to 5000	90	540	Tunable White
P023R6-Q2D-27/50K	5-5.7 5-6.2 5-6.6	0-660mA 0-990mA 0-1320mA	3.8 6.2 8.7	2	Tunable 2700 to 5000	90	500 740 1000	Tunable White
P023R6-Q4D-3500K	10-10.4 10-10.6 10-10.8	0-660mA 0-990mA 0-1320mA	7 10.5 14	4	3500K	90	800 1100 1400	
P023R6-Q4B-27/50K	10-10.7 10-11	0-660mA 0-990mA	7 11	4	Tunable 2700 to 5000	90	810 1200	Tunable White
P023R6-Q4B-22/50K	10-10.7 10-11	0-660mA 0-990mA	7 11	4	Tunable 2200 to 5000	90	810 1200	Tunable White

## Other LED Products from ATX LED

\*S is serial    \*P is parallel

Model	Hole in Ceiling mm	Drill Size Inch	Finished Outside Diameter mm	Watts	Volts	Lm/W	mA	Wiring*
P023R6-660	102	4"	120	6	9	90	660	S
P023R6-48v6w	102	4"	120	6	48	90	120	P
P023R11-1440	169	6 5/8"	188	12	9	100	1440	S
P023R11-48v12W	169	6 5/8"	188	12	48	100	240	P
DL-98B/127	68	2 3/4"	88	6	9	130	600	S
DL-120/125	102	4"	120	6	9	130	660	S
E26-A60-660	Bulb	-	-	6	9	80	660	S
E26-A60-48v6w	Bulb	-	-	6	48	80	120	P
E12-C35-660	Bulb	-	-	4	6	80	660	S
E12-C35-48v6w	Bulb	-	-	4	48	80	120	P
GU10	Bulb	-	-	5	48	120	100	P
P023S2	Strip	3/4"	-	2/ft	45	120	660	S
P023S4	Strip	3/4"	-	4/ft	45	120	660	S
P023S8	Strip	3/4"	-	8/ft	45	120	1440	S



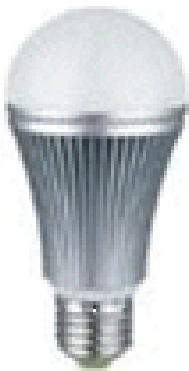
**DL-120**



**DL-98B**



**RL-E12**



**ATX-E26**



**RL-E26**



**DL-127**