



1108 Lavaca STE 110-489
 Austin Tx, 78701
 512 377 6052
<http://awg18.com>

P023R6-S slim 5 Inch
 Low Voltage, dimmable
 Surface Mounted LED
 Direct Current Controlled

P023R6 series
ETL 5005242 (UL 1598 std)
Bright LEDs, Cool Operation



[Product Description - surface mount driverless LED fixture](#)

The P023R series of LED fixtures are **ETL listed** and IC rated for direct contact with insulation – recognizing it’s cool operating temperatures and distributed heat (no hot spots). **Closet Rated** under NEC codes. **JA8 / Title 24** listed.

Model	Voltage	Current	CCT	CRI	Lumens	Watts
P023R6-S-mA-XX00K fixed or tunable white	7.5-8	0-1000mA	2700K	90+	740 @ 660mA	5.3w @660mA
			3000K			8w @1000 mA
			3500K			
			4000K			
			5000K			
P023R6-S-48v7w-XX00K	38-48v	145 mA*	3000K	90+	900	6.5w @51v
			3500K			
			4000K			
P023R6-S-51v6w-XX00K	40-54v	115 mA*	3000K	90+	740	9.2w @51v
			3500K			
			4000K			

*internally current limited

Technical specifications

Case Color	Pure White – other colors available		
Dimming Range	0 to 100%, flicker free, no artifacts		
CRI	CRI 90+		
Lm/watt	Up to 120		
Color Temperature	6 fixed options available plus tunable white		
Model	P023R6-S-mA	P023R6-S-51v 6w	P023R6-S-48v 7w
Operating mode	Current Mode	Voltage Mode	Voltage Mode
Operating Voltage	7.5 to 8.3 volts 5.3 w @ 660 mA 8.3 w @ 1000 mA 0-1000 mA	Dimming: 45-48v Full: 48 to 54 volts	Dimming: 40:43v Full: 44 to 45 volts
Internal Current Limiter		18C6B 115 mA	15C8B 125 mA
Wattage		6 w @ 51v	6 w @ 45v 7w @ 48v
Operating current		0 to 115 mA	0 to 125mA
Wiring Method	Series	Parallel	
Dimming method	Signature Perfect	None or PWM or Central	DR2 or Central
Color Temp	CCT 2700-5000K	Fixed, see options	
Operating Temperature	Ceiling mount, -20 to 50 Deg C non condensing		
IP Rating	Suitable for Damp environments		
IC Rated	Surface Mount		
LM-80 tested	10,000 hours		
LED type	2835 long life		
Closet Rated	Suitable for use within Closet storage spaces when installed per NEC requirements. See https://atxled.com/Closets for more info		
Motion Sensor	See P023R6-M for motion sensing		

Light engine - 120 LED chips for the most light



shown without diffuser

5 inch diameter





Snap In Surface Mounting

5 Inch diameter

13/16 below Surface

5/8 above Surface

125 mm diameter

20.5 + 16mm total height



Color Temperature options

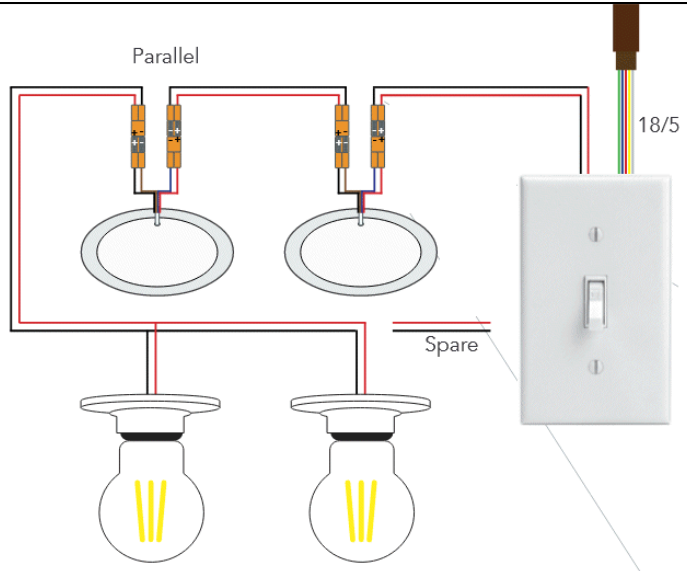


Optional Time of Day lighting rhythm

Available in 6 different color temperatures, these fixtures can be operated as a fixed color, or tunable white fixture. Any 660 mA current source can be used. Up to 5 fixtures can be wired in series to share one driver. That driver can be located up to 150 ft from the LEDs – since constant current eliminates the concerns about voltage drop. This 6 watt device can be installed as either tunable white or fixed color. Connecting both inputs in parallel will generate the 3850K color. .

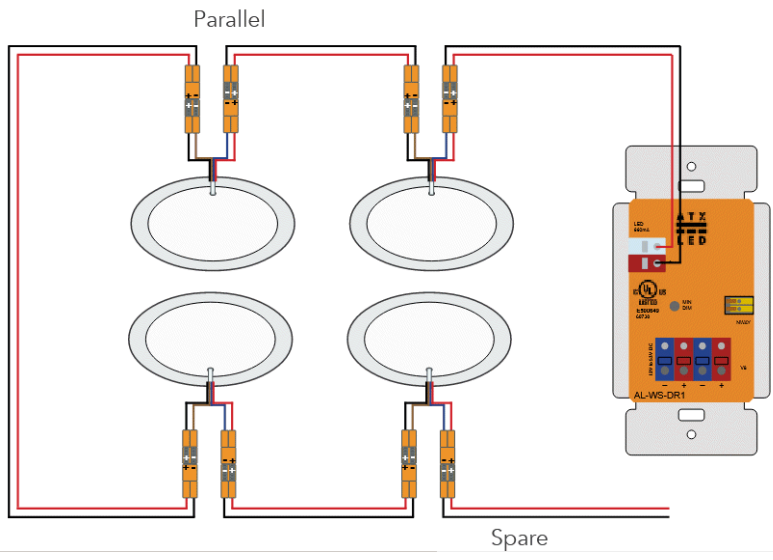
X= Stock, * = on request, X² = wiring option of CCT

Model	2700	3000	3500	3850	4000	5000
CCT	X -----> X					
Fixed	X ²	X	X	X ²	*	X ²

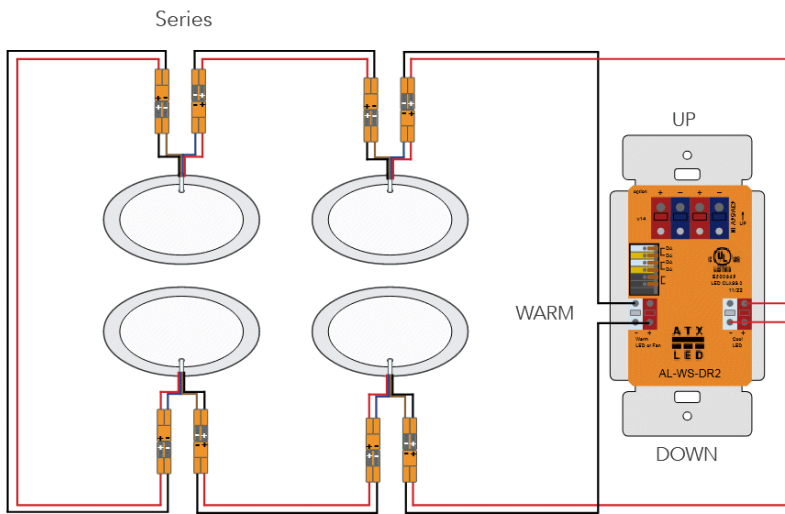


Lights shown are P023R6-48V6W and E26-48V6W

Value
On/OFF
parallel



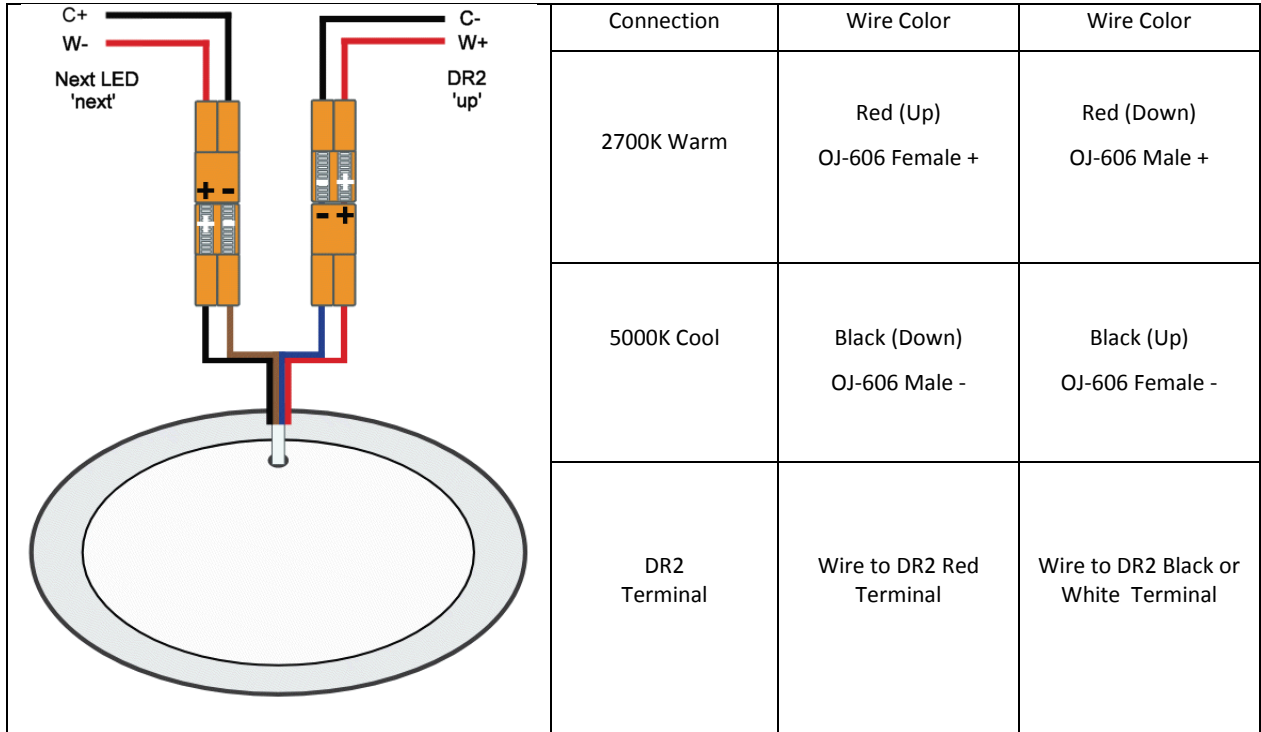
Local /
Upgrade
Dimming
Series
or
Parallel



Signature
Perfect
Dimming
660 mA
Series

Tunable White (CCT) Wiring detail

Tunable White series LED wiring is implemented with just one pair of wire
OJ-606 type connector AWG 18 or 20 2 pin



Recommended DC 660 mA Drivers with dimming*

N = # of P023R6-S

DC drivers *	Fixed Color	Tunable White	WiFi	DALI
AL-WS-DR1	5			
AL-WS-DR1P/D	5			
AL-WS-DR2	10	5		Yes
AL-WS-DR2C	10	5		
AL-WS-DR2W	10	5	Yes	
LDD-600H	5			
LDD-600HDA	5			Yes

*51 volt DC input to the AL-WS-DRx

Examples of AC Drivers with Dimming

N = # of current mode LEDs

AC drivers from 120 / 240 vac to DC currents	Fixed Color	Tunable White	0-10v	DALI	DMX
SRP-2305-75	10			X	
SRP-2309-75CCT		5		X	
WP-80-40A-2AM	8	4	X		
DP4-EC / DP5-E	16	5			X

Examples of AC Drivers without Dimming

N = # of 51v6w LEDs

AC drivers from 120 / 240 vac to DC currents	Fixed Color	Tunable White	0-10v	DALI	DMX
AL-PS-51v96w	16				

Other LED Products from ATX LED

