



1108 Lavaca St
STE 110
Austin Tx, 78701
512 377 6052
<http://awg18.com>

Gimbal Fixtures

DL-98B

Recessed LED

DL-125

DL-127

Tunable White Spot Lights

Bright LEDs, Cool operation

DL-125

4 inch / CBOX4

Multi axis



DL-127

2 ¾ inch

Sealed



DL-98B

2 ¾ inch



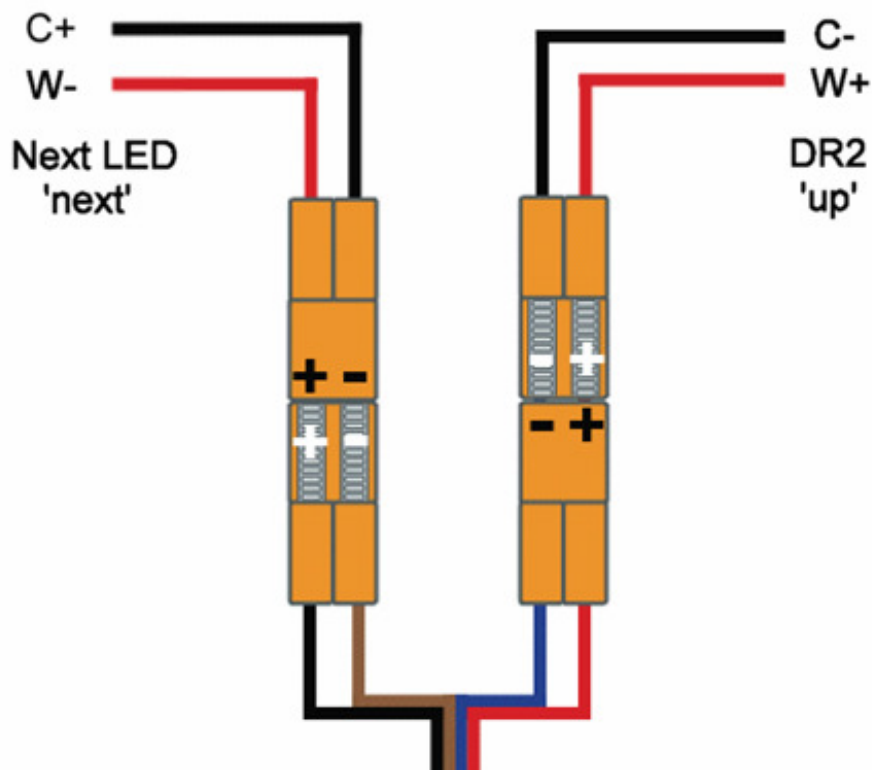
Product Details

These LED fixtures offer high lumen output, a recessed point light source, and safe low voltage operation with low heat and are adjustable.

Operating at 6 watts, with over 780 lumens, because all the power in goes to the LED as there is no driver or electronics involved. Because the COB LED source is not diffused – the Lumen output is comparable to 10 watt 120 VAC fixtures.

Tunable White (CCT) Wiring Details

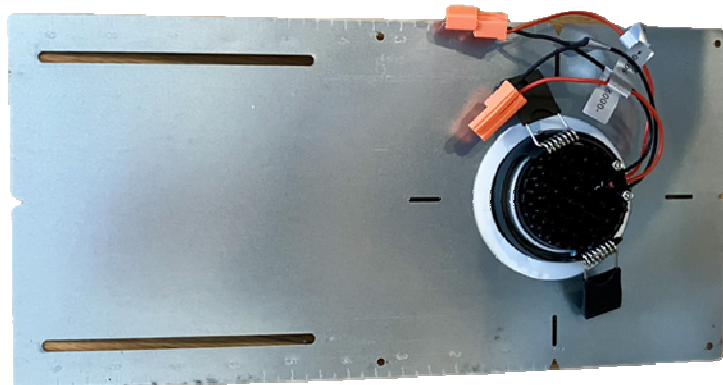
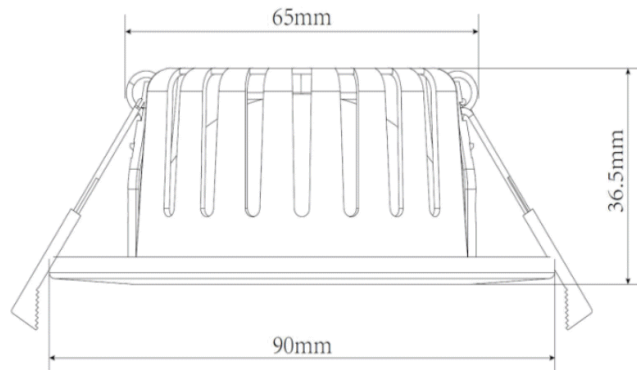
These fixtures offer a novel wiring method. The OJ-606 connectors provided, are paired to allow a single AWG-18/2 pair to enable tunable white. This means, that both connectors are required, to provide the current to the LEDs. The same wiring is used for 1 or 5 fixtures.



Colors	Plus	Minus
Warm	Red	Black
Cool	Brown	Blue

DL-127 sealed 2.75 inch

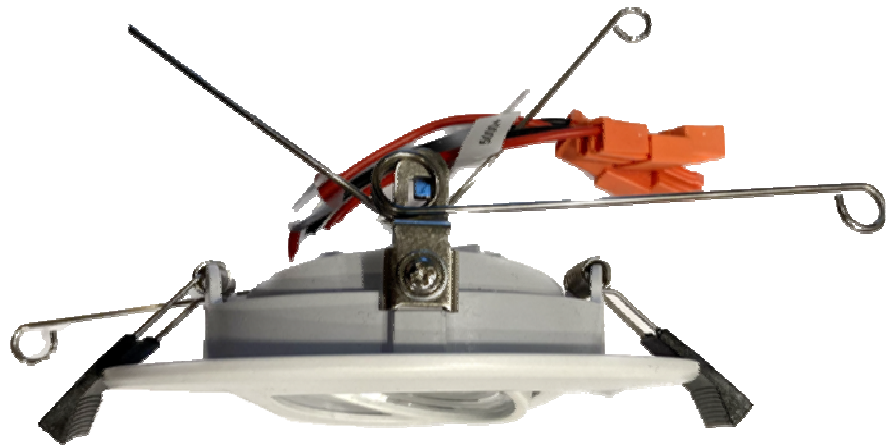
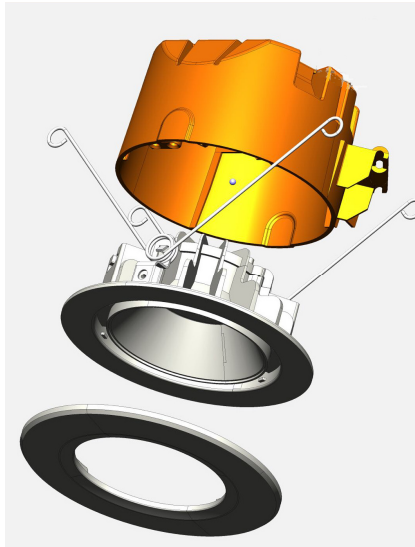
9/16 depth after sheetrock, use 3 inch flat sheet
2.75 inch hole, 3.25 in trim, 19/16 depth



DL-125 Multi axis for CBOX4

5/16 after sheetrock
4 inch hole, 4.75 in trim, 15/16 depth

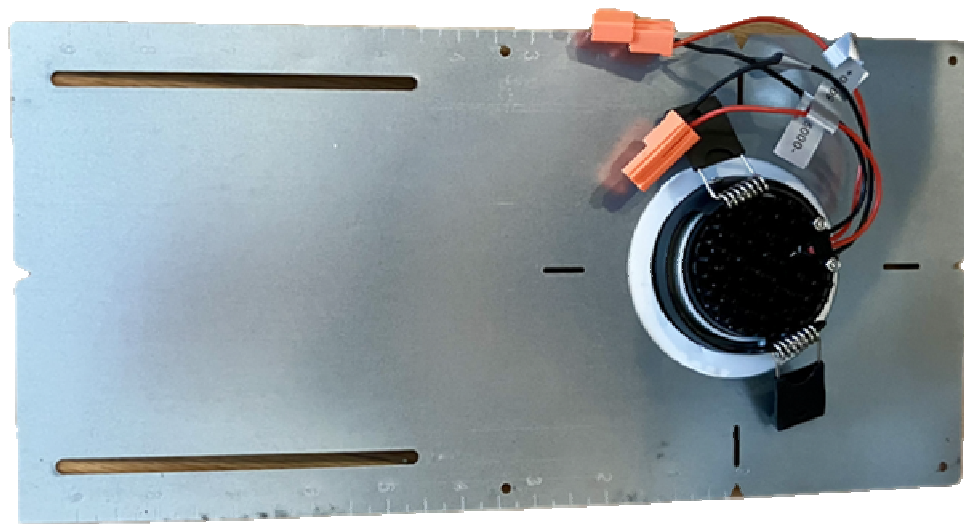
Designed to fix the CBOX4 – you can replace a P023R6 or DL-120 with the DL-125 for adjustable directional LED spot lighting. Or you can mount directly to sheetrock.



DL-98B model 10/16 after sheetrock
2 ¾ inch hole, 3.25 trim 20/16 depth



Flat Sheet mounting method



Technical specifications

CRI	90+
Dimming	0 to 100%, flicker free, no artifacts
Operating Wattage	6 Watts
Operating current	0 to 720 mA total of current in both channels, can mix for color control
Maximum wattage	7 watts
Lumens	780
Color Temperature	5 options available
Operating Voltage	7.5 to 9.0 volts
Recommended wiring	Series, 4 or 5 fixtures in series sharing one driver
Constant Voltage	do not use Constant Voltage
Operating Temperature	Ceiling mount, -20 to 50 Deg C non condensing
IP Rating	Intended for dry or damp installations
Matching Connectors	OJ-606 Male, Female required – not included compatible with Ideal 30-082

Color Temperature options

Available in 5 different color temperatures. See table below for the color options. The DL family can be operated as a fixed color, or tunable white fixture. Any 660 mA current source can be used. Up to 5 fixtures can be wired in series to share one driver. That driver can be located up to 150 ft from the LEDs – since constant current eliminates the concerns about voltage drop.

Model	2700	3000	3500	3850	4000	5000
DL-98B	●			#		●
DL-125	●			#		●
DL-125C		●	#		●	
DL-127	●			#		●
DL-127C		●	#		●	

Connecting both inputs in parallel will generate the color CCT marked #.

Ordering part numbers

Model	Voltage	Current	CCT	CRI	Lumens
DL-98B	7.5-9	0-660mA	27/50K	90	780
DL-125	7.5-9	0-660mA	27/50K	90	780
DL-125C	7.5-9	0-660mA	30/40K	90	780
DL-127	7.5-9	0-660mA	27/50K	90	780
DL-127C	7.5-9	0-660mA	30/40K	90	780
MS31008	7.5-9	0-660mA	Fixed	90	780

360 mA operation @ 3850K or 3500K

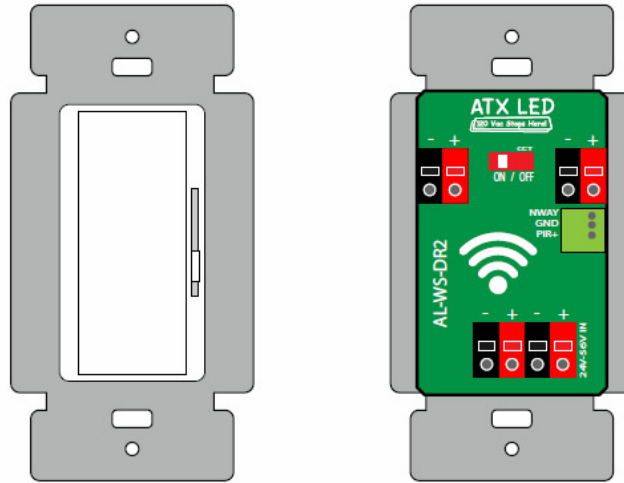
The DL-98B, DL-125 or DL-127, 6 watt LED can be installed for 360 mA operation for use with 360 or 300 mA drivers. The total power is 6 watts. The voltage increases from 9v to 18v in this method – because the two sides are wired in series to implement this. The CCT is 3500K for the C models and 3850 otherwise

Number of attached Leds on DC drivers

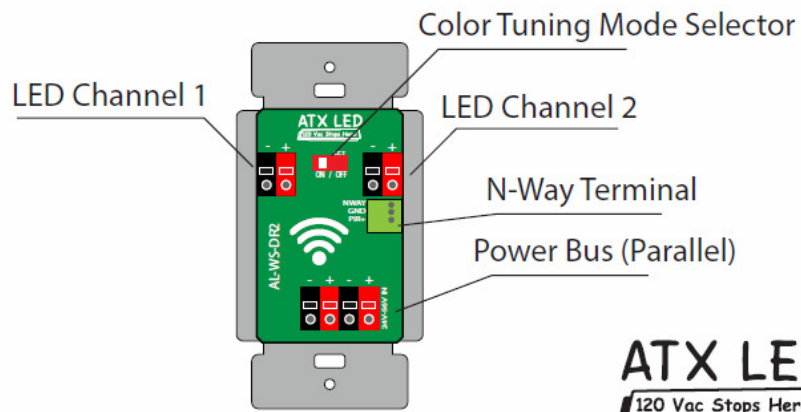
DC drivers	Fixed Color	Tunable White	WiFi	DALI
AL-WS-DR1	4			
AL-WS-DR2	8	4		X
AL-WS-DR2C	8	4		
AL-WS-DR2W	8	4	X	
LDD-600H	5			
LDD-600HDA	5			X

Meet the DR2

The DR2 is the heart of the entire system. From the front it looks like a typical style wall switch with a slide dimmer. This is where the driver for the LEDs is located. The DR2 uses current control technology to provide perfect dimming to each of its corresponding LEDs. There are several different types of DR2 available, depending on application.



Front



ATX LED
120 Vac Stops Here!

E26 bulbs also available



ATX-E26



RL-E26



RL-E12