

ATX LED

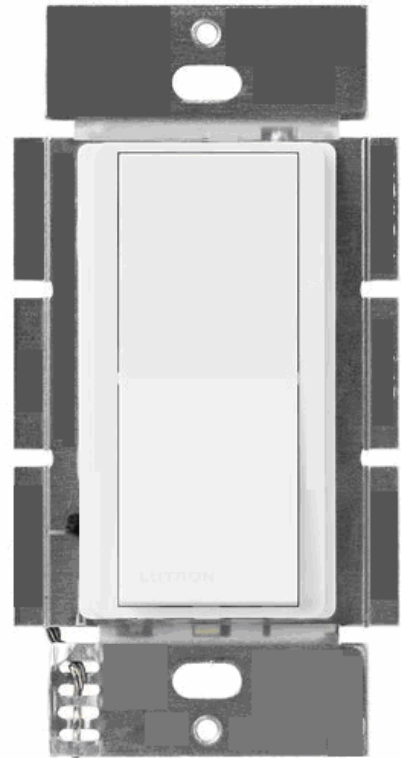
100% DC low voltage

ATX LED Consultants Inc
815-A Brazos #326
Austin TX, 78701
512 377 6052
<http://atx-led.com>

AL-WS-S2

**Decorator style
Constant Current
LED Driver
with integrated switch**

**2 channels
56 watts total**



[Product Description - AL-WS-S2 wall switch](#)

Our lowest cost LED Driver. This switch operates just like any standard residential light switch – however it takes 24 to 52 volts DC instead of 120VAC, and directly drives up to 56 watts of LED bulbs. This Decorator style switch in a standard residential style outline fits into any home, looks like any switch yet meets NEC article 411 for Low Voltage lighting.

Stand alone it operates as a simple switch for 2 strings of LED's. Factory options of 360 and 660 mA are available. The 660 mA can power 56 watts LEDs, 4 or 8 total. For example, 4 x 6 Watt LEDs can be connected in series to each of the 2 outputs on this switch / dimmer device. Use AWG 16 or 18 to bring 48v from a central power supply over to the switches, then use AWG 18 or 20 to connect to your LEDs – no expensive tools are required to wire this device. The 360 mA version can power 28 Watts of LEDs.

A proven rocker switch leverages mass production of Decorator switches, now for low voltage applications – a casual user requires no training, no App to use this switch.

The wiring method for LEDs with this device (see our online wiring guide) allows after market upgrades to dimming, wifi controls and tunable white.

Upgrade any time to AL-WS-DR2 or other family products to add Dimming or Home Automation

Specifications

Power source connection

LED load connectors

LED constant current output

Input voltage range

Standby power consumption

Conversion efficiency

Protection

Operating Temperature

Size

Dimming

FCC and interference

Maximum output voltage

Minimum output voltage

Hot Swap

3-Way

LED outputs

Screw type connectors

for AWG 12-20 wire

+ 48 volts - 48 volts

E is for Earth ground

Spring Terminal block for AWG 16 to 24

Factory options: 360 mA (on request)
660 mA

24v to 52 volts

10 milliwatts

Over 95%

Reverse protection and static protection

0°C ~ 50°C

Frame: 108mm height

Back: 70H x 34 D x 42 W mm

None – see other products for dimming

All outputs are RF filtered for minimal interference

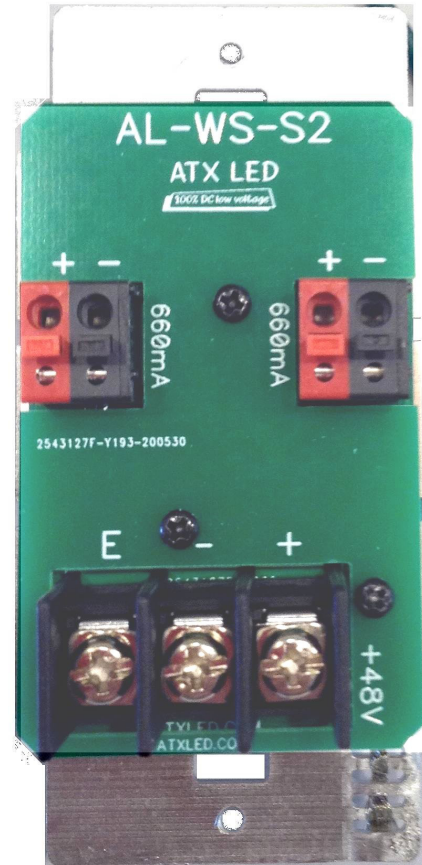
Input minus 4 volts

6 volts, minimum current self calibrating

Yes – can unplug and connect LEDs with power applied.

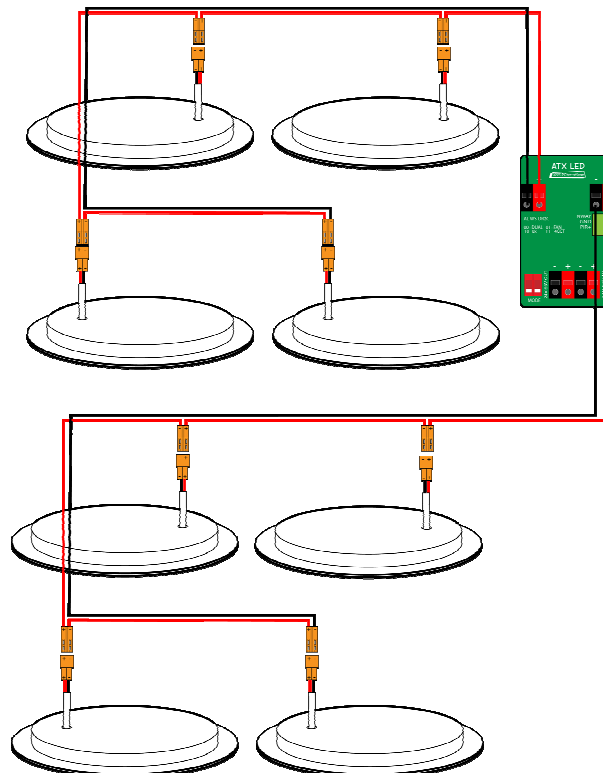
See other products for 3 way switching

2 LED drivers with 360 or 660 mA each



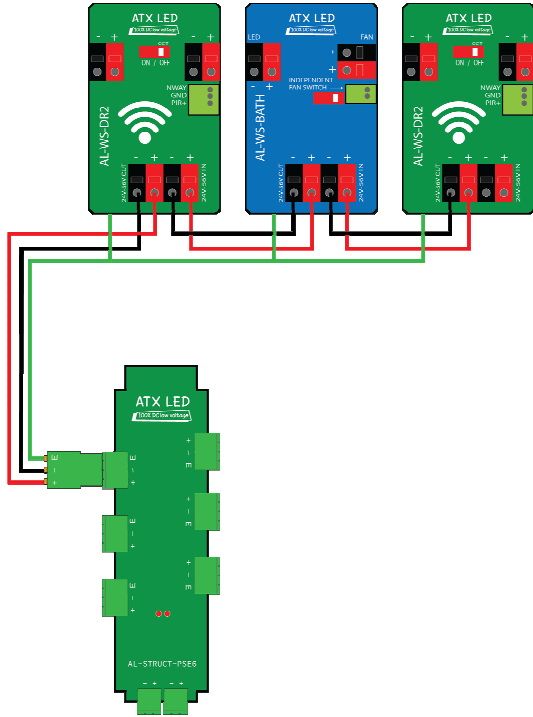
Wiring the AL-WS-S2 for up to 8 LEDs

See <http://atxled.com/How2> for more examples



Powering the AL-WS-S2

Power the switch via the + and - input connectors, 48 to 56v is recommended.



Three Way Operation

