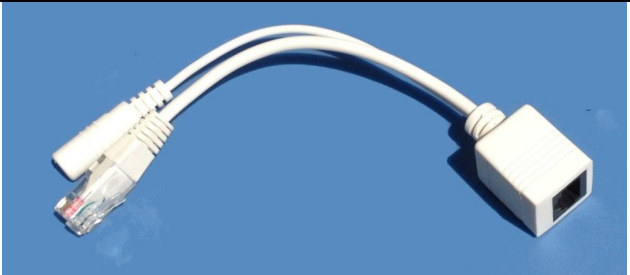




## POE-Inline Injector for AL-DALI-HAT

10/100 Ethernet, can be used as PoE injector and DALI connection to AL-DALI-HAT



Power In, Data PoE out

1 Port 10/100 Ethernet device used as PoE Injector for DALI systems

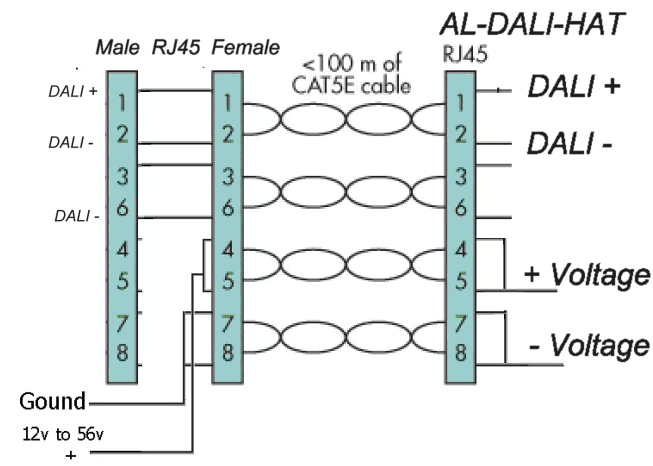
Size: 3 x 1.3 x .8 inches (76 mm x 29mm x 22mm)

Inline

Standard power connector - 2.1mm x 5.5mm

Mode B operation  
- pins 4, 5 (+)  
- pins 7, 8 (-)

Power is always on  
- no auto-negotiation



Please connect #2 and #6 together,  
Then - #1 and #2,6 to your DALI bus

Normally polarity is not important  
If you are using an external DALI power supply – then please observe + and -

Also available in 12 and 24 port versions

